

Performance

Lifting height — on stabilisers	20500.0 mm
Lifting height — on tyres	20300.0 mm
Rated capacity	5000 kg
Capacity (at max. height on stabilisers)	2500 kg
Capacity (at max. height on tyres)	1400 kg
Capacity (at max. reach on stabilisers)	600 kg
Capacity (at max. reach on tyres)	200 kg
Max. reach on stabilisers	18000.0 mm
Max. reach on tyres	14000.0 mm

Weights

Weight (unladen)	17540 kg
------------------	----------

Traction

Standard tyres	18 x 22.5 in, Heavy duty
1st gear / low range	10.0 km/h
2nd gear / high range	40.0 km/h
Gradeability	21.8°

Drive System

Main drive	2-speed gear box
Transmission	Hydrostatic with variable load sensing pump

Engine

Make / Model	FPT NEF Series
Fuel	Diesel
Cooling	Liquid
Rated power (ISO 14396:2002) at 2200 RPM	105.0 kW
Maximum torque at 1400 RPM	590.0 Nm
Number of cylinders	4
Displacement	4.50 L

Hydraulic System

Pump type	Double gear pump
-----------	------------------

Cycle Times

Telescope in time at max. reach - no load	17.2 s
Telescope out time at max. reach - no load	31.2 s

Brakes

Engine braking	Hydrostatic
Parking and emergency brake	Negative brake with electro-hydraulic command on rear axle

Fluid Capacities

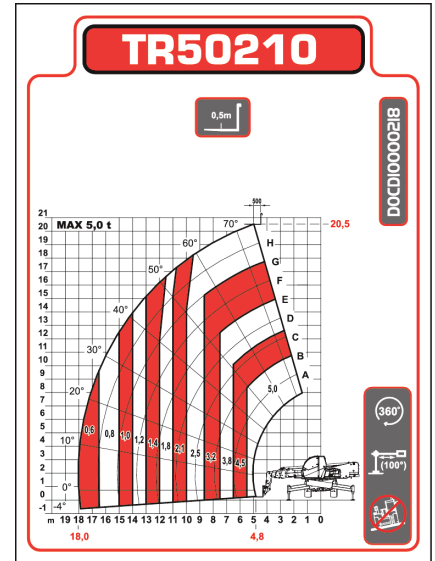
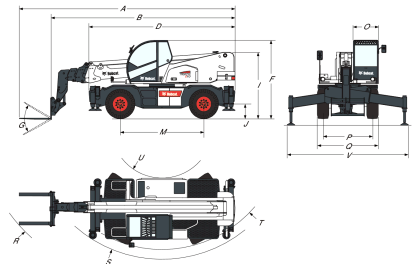
Engine oil	14.40 L
Fuel tank	180.00 L
Hydraulic reservoir	270.00 L

Environmental

Operator noise level (LpA) (EN 12053)	77 dB(A)
Level of acoustic power (LWA)	107 dB(A)
Whole body vibration (EN 13059)	1.20 ms ⁻²
Whole body vibration uncertainty (EN 13059)	0.12 ms ⁻²
Hand-arm vibration (ISO 5349-1)	1.10 ms ⁻²

Load Charts

On stabilisers, with forks, 90°


Dimensions


(A)	8350.0 mm	(O)	980.0 mm
(B)	7150.0 mm	(P)	1920.0 mm
(D)	5290.0 mm	(Q)	2380.0 mm
(F)	3025.0 mm	(R)	6789.0 mm
(G)	115.0°	(S)	4790.0 mm
(I)	2556.0 mm	(T)	4430.0 mm
(J)	360.0 mm	(U)	1700.0 mm
(M)	2950.0 mm	(V)	5070.0 mm